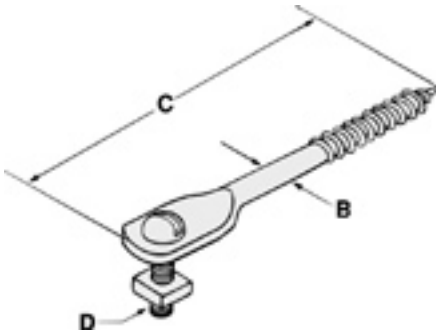


Fig. 43
FLATTENED END
LAG SCREW



FUNCTION: Designed for attaching hangers to wood structures in light duty applications.

MATERIAL: Low carbon steel

FINISH: Plain

ORDERING: Specify size and figure number.

Size B	C	Bolt Size D	Max. Rec. Load/lbs.	Wt. Each (in lbs.)
1/4	3	3/16	230	.04
5/16	3	1/4	300	.07
3/8	4	1/4	360	.10

Note: Regularly furnished with bolt and nut.