

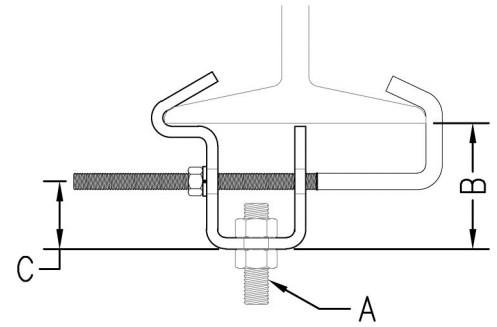
# CENTER LOAD BEAM CLAMPS



## ADJUSTABLE STEEL BEAM CLAMP

**FIG. 635**

- Function:** Designed to be used in the suspension of a hanger rod from an I-Beam. The clamp is adjustable from 3 1/2" (88.9) to 8" (203.2) and can be used with flange thicknesses up to 1/2" (12.7).
- Material:** Carbon steel (Type 304 or 316 Stainless Steel upon request)
- Finish:** Plain or electro-galvanized (Hot dipped galvanized with electro-galvanized hardware upon request)
- Approvals:** Complies with Federal Specification A-A-1192A (Type 27) and Manufacturers' Standardization Society ANSI/MSS SP-58 (Type 27) which supersedes ANSI/MSS SP-69.
- Ordering:** Specify figure number, rod size, material, and finish.



*NOTE: For proper installation, tighten hex nut until lock washer is completely flat.*

Rod Size A	Flange Width		B	C	Max. Rec. Load		Wt. Each					
	Min.	Max.			lbs.	kN	lbs.	kg				
3/8	3 1/2	(88.90)	8	(203.20)	2 3/4	(69.85)	1 1/2	(38.10)	300	(1.33)	1.04	(.47)
1/2	3 1/2	(88.90)	8	(203.20)	2 3/4	(69.85)	1 1/2	(38.10)	700	(3.11)	1.45	(.66)
5/8	3 1/2	(88.90)	8	(203.20)	2 3/4	(69.85)	1 1/2	(38.10)	1000	(4.45)	1.96	(.89)
3/4	6	(152.40)	8	(203.20)	4	(101.60)	2	(50.80)	1800	(8.01)	6.50	(2.95)

- THREADED ACCESSORIES
- CPVC STRAPS
- BAND HANGERS
- BEAM CLAMPS
- CLEVIS HANGERS
- PIPE ROLLER SUPPORTS
- PIPE RING HANGERS
- PIPE CLAMPS
- CENTER LOAD BEAM CLAMPS
- PIPE SHIELDS, INSULATION, & SADDLES
- PIPE GUIDES & SLIDES
- WALL BRACKETS
- PIPE SUPPORTS
- STRUCTURAL ATTACHMENTS
- SEISMIC BRACING