

PIPE ROLLER SUPPORTS

FIG. 486

PIPE ROLLER STAND

Function: Designed to support pipe in applications where horizontal movement, due to expansion and contraction, will occur.

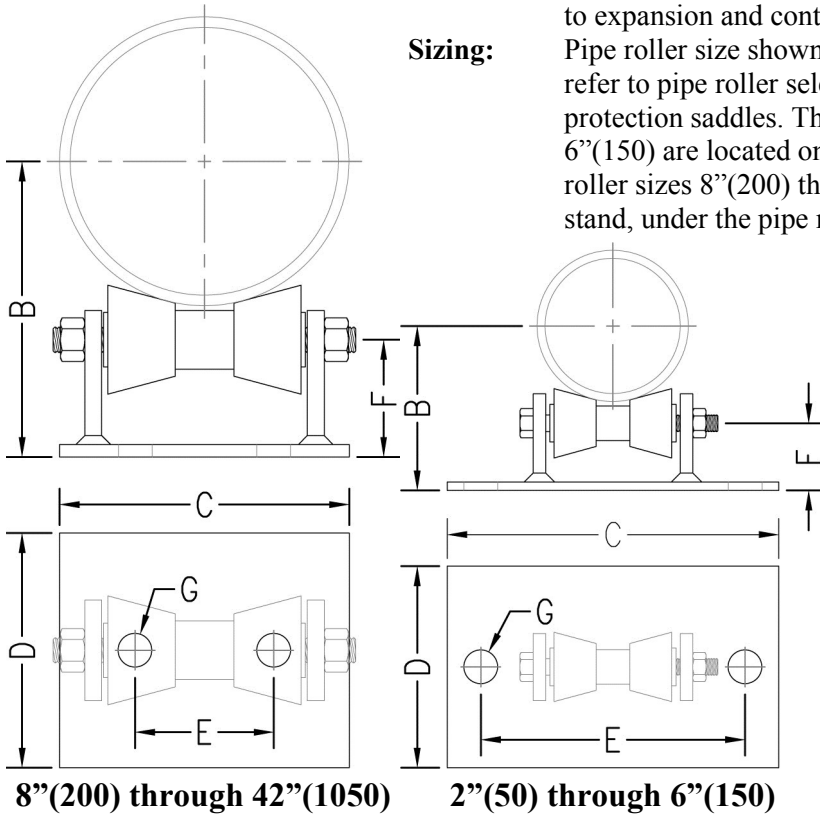
Sizing: Pipe roller size shown is for bare pipe. For proper sizing with insulation, refer to pipe roller selection guide, which is for use with pipe covering protection saddles. The two holes "G" on roller sizes 2"(50) through 6"(150) are located on the outside of the stand. The two holes "G" on roller sizes 8"(200) through 42"(1050) are located on the inside of the stand, under the pipe roller.

Material: Cast iron pipe roller with carbon steel stand, axle, and hex nuts. (Type 304 or 316 Stainless Steel upon request)

Finish: Plain or electro-galvanized (Hot dipped galvanized with electro-galvanized hardware upon request)

Approvals: Complies with Federal Specification A-A-1192A (Type 44) and Manufacturers' Standardization Society ANSI/MSS SP-58 (Type 44) which supersedes ANSI/MSS SP-69.

Ordering: Specify figure number, pipe roller size, material, and finish.



Pipe Roller Size		B		C		D		E		F		G		Max. Rec. Load		Wt. Each	
														lbs.	kN	lbs.	kg
2	(50)	3 1/2	(88.90)														
2 1/2	(65)	3 7/8	(98.43)														
3	(80)	4 1/8	(104.78)	--	--	6	(152.4)	--	--	1 3/4	(44.45)	1	(25.4)	390	(1.73)	4.48	(2.03)
3 1/2	(90)	4 3/8	(111.13)														
4	(100)	4 13/16	(122.24)														
5	(125)	5 7/16	(138.11)	--	--	6	(152.4)	--	--	2 1/16	(52.39)	1	(25.4)	950	(4.23)	6.85	(3.11)
6	(150)	6 1/16	(153.99)														
8	(200)	8 11/16	(220.66)	8 5/8	(219.08)	7	(177.8)	4 1/8	(104.78)	3 7/16	(87.31)	1	(25.4)	2100	(9.34)	14.09	(6.39)
10	(250)	9 13/16	(249.24)														
12	(300)	11 3/8	(288.93)	10 7/8	(276.23)	8	(203.2)	5 13/16	(147.64)	3 7/8	(98.43)	1	(25.4)	3075	(13.68)	22.09	(10.02)
14	(350)	12	(304.80)														
16	(400)	13 5/8	(346.08)														
18	(450)	14 5/8	(371.48)	12 1/2	(317.50)	9	(228.6)	6 7/8	(174.63)	4 1/4	(107.95)	1	(25.4)	4980	(22.15)	32.00	(14.51)
20	(500)	15 5/8	(396.88)														
24	(600)	17 3/4	(450.85)	13 1/2	(342.90)	9	(228.6)	7 5/8	(193.68)	4 3/8	(111.13)	1	(25.4)	6100	(27.13)	41.43	(18.79)
30	(750)	21 7/8	(555.63)	17	(431.80)	12	(304.8)	10	(254.00)	5 1/8	(130.18)	1	(25.4)	7500	(33.36)	80.00	(36.29)
36	(900)	25 3/4	(654.05)														
42	(1050)	28 7/8	(733.43)	20	(508.00)	12	(304.8)	12	(304.80)	5 3/4	(146.05)	1	(25.4)	12000	(53.38)	125.0	(56.70)