

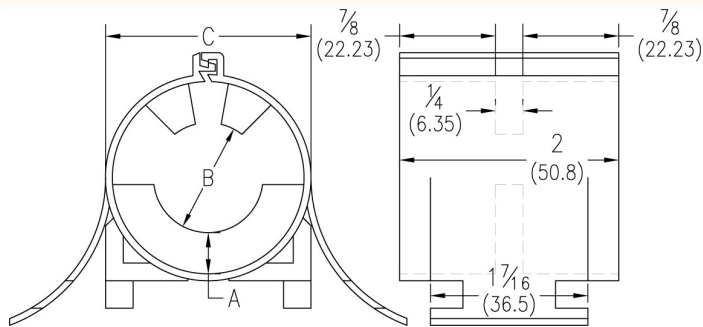


www.phd-mfg.com

PIPE & CONDUIT SUPPORTS

FIG. 824050-828262

STRUT CLAMP FOR ELASTOMERIC INSULATION



Cushion Material: Washington Penn TPO in accordance with ASTM D 4000, TEO0120, A45000. Classified 2043 (25/50) for use in plenums and air handling systems.

Ordering: Specify figure number.

Fig. No.	Insulation Thickness "A"		O.D. "B"		C		Wt. Each	
							Lbs.	kg
824050	1/2	(12.7)	1/2	(12.70)	1 5/8	(41.28)	0.05	(0.02)
824062	1/2	(12.7)	5/8	(15.88)	1 3/4	(44.45)	0.06	(0.02)
824087	1/2	(12.7)	7/8	(22.23)	2	(50.80)	0.07	(0.03)
824112	1/2	(12.7)	1 1/8	(28.58)	2 1/4	(57.15)	0.08	(0.03)
824137	1/2	(12.7)	1 3/8	(34.93)	2 1/2	(63.50)	0.09	(0.04)
824162	1/2	(12.7)	1 5/8	(41.28)	2 3/4	(69.85)	0.10	(0.05)
824212	1/2	(12.7)	2 1/8	(53.98)	3 1/4	(82.55)	0.13	(0.06)
826062	3/4	(19.1)	5/8	(15.88)	2 1/4	(57.15)	0.08	(0.03)
826087	3/4	(19.1)	7/8	(22.23)	2 1/2	(63.50)	0.09	(0.04)
826112	3/4	(19.1)	1 1/8	(28.58)	2 3/4	(69.85)	0.10	(0.05)
826137	3/4	(19.1)	1 3/8	(34.93)	3	(76.20)	0.12	(0.05)
828087	1	(25.4)	7/8	(22.23)	3	(76.20)	0.12	(0.05)
828112	1	(25.4)	1 1/8	(28.58)	3 1/4	(82.55)	0.12	(0.06)
828137	1	(25.4)	1 3/8	(34.93)	3 1/2	(88.90)	0.13	(0.06)
828162	1	(25.4)	1 5/8	(41.28)	3 3/4	(95.25)	0.14	(0.06)
828212	1	(25.4)	2 1/8	(53.98)	4 1/4	(107.95)	0.16	(0.07)
828262	1	(25.4)	2 5/8	(66.68)	4 3/4	(120.65)	0.17	(0.08)