

PIPE SUPPORTS

FIG. 883

PIPE FLANGE SUPPORT

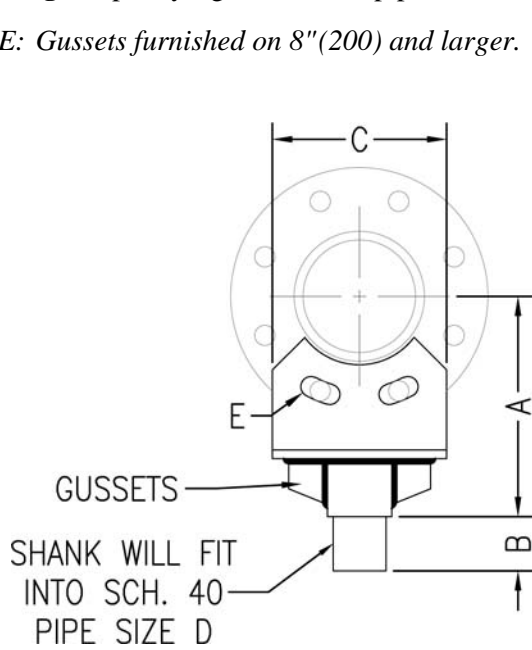
Function: Designed to support 125 lb. cast iron and 150 lb. forged steel flanged connections. (Consult factory for other flanged bolt patterns). To complete floor stanchion, use fig. 871 threaded base stand. For complete floor stanchion with vertical adjustment, use fig. 877 pipe support adjuster and fig. 871 threaded base stand.

Material: Carbon steel

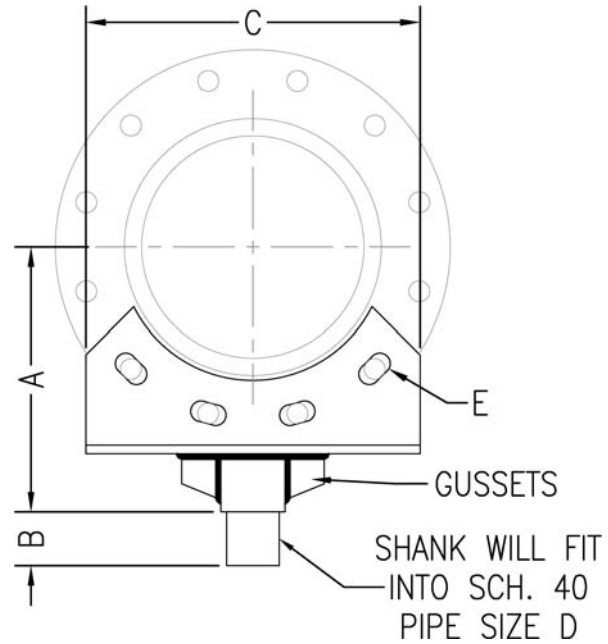
Finish: Plain or electro-galvanized

Ordering: Specify figure number, pipe size, and finish.

NOTE: Gussets furnished on 8" (200) and larger.



For pipe sizes 2" (50) through 12" (300)



For pipe sizes 14" (350) through 24" (600)

Pipe Size		A		B		C		D		E		Wt. Each	
												lbs.	kg
2	(50)	5 1/2	(139.7)	4	(101.6)	5 1/4	(133.4)	1 1/2	(40)	3/4	(19.1)	3.06	(1.4)
2 1/2	(65)	6	(152.4)	4	(101.6)	6	(152.4)	1 1/2	(40)	3/4	(19.1)	3.43	(1.6)
3	(80)	6 1/4	(158.75)	4	(101.6)	6 1/4	(158.8)	1 1/2	(40)	3/4	(19.1)	3.51	(1.6)
3 1/2	(90)	6 3/4	(171.45)	4	(101.6)	6	(152.4)	1 1/2	(40)	3/4	(19.1)	3.32	(1.5)
4	(100)	7	(177.8)	4	(101.6)	6 3/8	(161.9)	2 1/2	(65)	3/4	(19.1)	5.21	(2.4)
5	(125)	7 1/2	(190.5)	4	(101.6)	7 1/16	(179.4)	2 1/2	(65)	7/8	(22.2)	5.50	(2.5)
6	(150)	8 1/4	(209.55)	4	(101.6)	7 3/4	(196.9)	2 1/2	(65)	7/8	(22.2)	7.57	(3.4)
8	(200)	9 1/2	(241.3)	4	(101.6)	9 9/16	(242.9)	2 1/2	(65)	7/8	(22.2)	9.25	(4.2)
10	(250)	10 3/4	(273.05)	4	(101.6)	8	(203.2)	2 1/2	(65)	1	(25.4)	8.11	(3.7)
12	(300)	12 1/4	(311.15)	4	(101.6)	9 1/2	(241.3)	2 1/2	(65)	1	(25.4)	9.63	(4.4)
14	(350)	15 1/4	(387.35)	4	(101.6)	18 3/16	(462.0)	3	(80)	1 1/8	(28.6)	23.50	(10.7)
16	(400)	16 1/2	(419.1)	4	(101.6)	16 5/8	(422.3)	3	(80)	1 1/8	(28.6)	22.10	(10.0)
18	(450)	18 1/2	(469.9)	4	(101.6)	17 11/16	(449.3)	4	(100)	1 1/4	(31.8)	36.26	(16.5)
20	(500)	19 3/4	(501.65)	4	(101.6)	15 3/4	(400.1)	4	(100)	1 1/4	(31.8)	33.34	(15.1)
24	(600)	22	(558.8)	4	(101.6)	18 3/8	(466.7)	4	(100)	1 3/8	(34.9)	37.95	(17.2)