

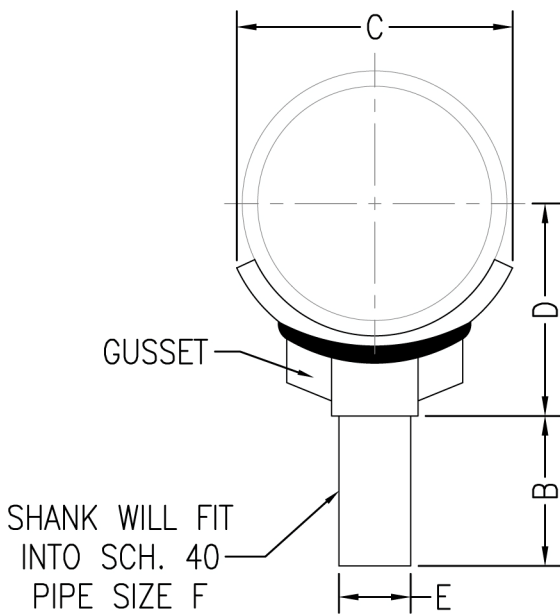


www.phd-mfg.com

PIPE SUPPORTS

FIG. 880

PIPE SADDLE SUPPORT



- Function:** Designed to support horizontal pipe running close to the floor. Normally used in conjunction with floor stanchions.
- Material:** Carbon steel (Type 304 or 316 Stainless Steel upon request)
- Finish:** Plain or electro-galvanized (Hot dipped galvanized upon request)
- Approvals:** Complies with Federal Specification A-A-1192A (Type 36) and Manufacturers' Standardization Society ANSI/MSS SP-58 (Type 36) which supersedes ANSI/MSS SP-69.
- Ordering:** Specify figure number, pipe size, material, and finish.

NOTE: Gussets furnished on 8" (200) and larger.

Pipe Size		B		C		D		E		Pipe size F		Max. Rec. Load		Wt. Each	
												lbs.	kN	lbs.	kg
2 1/2	(65)	4	(101.6)	2 1/2	(63.50)	3 11/16	(93.66)	1 1/2	(38.10)	1 1/2	(40)	1800	(8.01)	1.67	(.76)
3	(80)	4	(101.6)	3 1/32	(76.99)	4	(101.60)	1 1/2	(38.10)	1 1/2	(40)	1800	(8.01)	1.76	(.80)
3 1/2	(90)	4	(101.6)	3 7/16	(87.31)	4 1/4	(107.95)	1 1/2	(38.10)	1 1/2	(40)	1800	(8.01)	1.88	(.85)
4	(100)	4	(101.6)	4 1/4	(107.95)	4 1/2	(114.30)	2 3/8	(60.33)	2 1/2	(65)	3800	(16.90)	3.60	(1.63)
5	(125)	4	(101.6)	4 13/16	(122.24)	5 1/16	(128.59)	2 3/8	(60.33)	2 1/2	(65)	3800	(16.90)	3.81	(1.73)
6	(150)	4	(101.6)	6 1/16	(153.99)	5 11/16	(144.46)	2 3/8	(60.33)	2 1/2	(65)	3800	(16.90)	5.50	(2.49)
8	(200)	4	(101.6)	7 15/16	(201.61)	6 11/16	(169.86)	2 3/8	(60.33)	2 1/2	(65)	3800	(16.90)	7.00	(3.18)
10	(250)	4	(101.6)	9 5/8	(244.48)	7 7/8	(200.03)	2 3/8	(60.33)	2 1/2	(65)	3800	(16.90)	7.66	(3.47)
12	(300)	4	(101.6)	11 11/16	(296.86)	8 7/8	(225.43)	2 3/8	(60.33)	2 1/2	(65)	3800	(16.90)	8.95	(4.06)
14	(350)	4	(101.6)	12 1/8	(307.98)	11 5/8	(295.28)	2 7/8	(73.03)	3	(80)	5300	(23.58)	16.54	(7.50)
16	(400)	4	(101.6)	13 7/8	(352.43)	12 5/8	(320.68)	2 7/8	(73.03)	3	(80)	5300	(23.58)	18.70	(8.48)
18	(450)	4	(101.6)	15 19/32	(396.08)	14 3/4	(374.65)	4	(101.60)	4	(100)	6700	(29.80)	27.98	(12.69)
20	(500)	4	(101.6)	17 5/16	(439.74)	15 3/4	(400.05)	4	(101.60)	4	(100)	6700	(29.80)	30.20	(13.70)
24	(600)	4	(101.6)	20 25/32	(527.84)	18	(457.20)	4	(101.60)	4	(100)	7300	(32.47)	41.46	(18.81)
30	(750)	4	(101.6)	26	(660.40)	21	(533.40)	4	(101.60)	4	(100)	7300	(32.47)	76.24	(34.58)
36	(900)	4	(101.6)	31 3/16	(792.16)	24	(609.60)	4	(101.60)	4	(100)	7300	(32.47)	88.77	(40.27)

Unless otherwise specified, all dimensions on drawings and in charts are in inches and dimensions shown in parentheses are in millimeters.

THREADED ACCESSORIES
CPVC STRAPS
BAND HANGERS
BEAM CLAMPS
CLEVIS HANGERS
PIPE ROLLER SUPPORTS
SPLIT RING HANGERS
PIPE CLAMPS
CENTER LOAD BEAM CLAMPS
PIPE SHIELDS, INSULATION, & SADDLES
PIPE GUIDES & SLIDES
WALL BRACKETS
PIPE SUPPORTS
STRUCTURAL ATTACHMENTS
SEISMIC BRACING