

FIG. 38

FORGED STEEL CLEVIS

Function: Designed for use as a convenient method of connecting hanger rods to pipe lugs, angles, etc. As a structural attachment it is most commonly used in conjunction with Fig. 935 welding lug.

Right-Hand Threads (**Fig. 38**) or Left-Hand Threads (**Fig. 38L**).

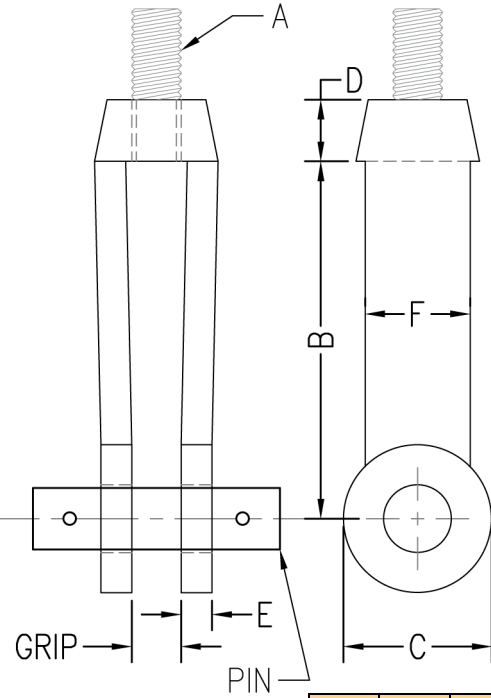
Material: Forged steel (Type 316 Stainless Steel upon request)

Finish: Plain or electro-galvanized (Hot dipped galvanized upon request)

Approvals: Complies with Federal Specifications A-A-1192A (Type 14) and Manufacturers' Standardization Society ANSI/MSS SP-58 (Type 14) which supersedes ANSI/MSS SP-69.

Ordering: Specify figure number, size number, rod size, with or without pin, and finish. If other than standard combination is required, specify size number, rod size, pin size and grip.

NOTE: Regularly furnished with pin and cotter pins, unless specified otherwise.



Size No.	Rod Size A	Pin Size	Grip	B	C	D
2	3/8	1/2 (12.70)	1/2 (12.70)	3 5/8 (92.08)	1 1/2 (38.10)	5/8 (15.88)
2	1/2	5/8 (15.88)	1/2 (12.70)	3 5/8 (92.08)	1 1/2 (38.10)	5/8 (15.88)
2	5/8	3/4 (19.05)	5/8 (15.88)	3 5/8 (92.08)	1 1/2 (38.10)	5/8 (15.88)
2 1/2	3/4	7/8 (22.23)	3/4 (19.05)	5 (127.00)	2 (50.80)	7/8 (22.23)
2 1/2	7/8	1 (25.40)	7/8 (22.23)	5 (127.00)	2 (50.80)	7/8 (22.23)
3	1	1 1/8 (28.58)	1 (25.40)	5 (127.00)	3 (76.20)	1 5/16 (33.34)
3	1 1/4	1 3/8 (34.93)	1 1/4 (31.75)	5 (127.00)	3 (76.20)	1 5/16 (33.34)
3 1/2	1 1/2	1 5/8 (41.28)	1 1/2 (38.10)	6 (152.40)	3 1/2 (88.90)	1 5/8 (41.28)
4	1 3/4	1 7/8 (47.63)	1 1/2 (38.10)	6 (152.40)	4 (101.60)	1 3/4 (44.45)
5	2	2 1/4 (57.15)	2 1/2 (63.50)	7 (177.80)	5 (127.00)	2 1/4 (57.15)
6	2 1/4	2 1/2 (63.50)	2 1/2 (63.50)	8 (203.20)	6 (152.40)	2 3/4 (69.85)
6	2 1/2	2 3/4 (69.85)	2 1/2 (63.50)	8 (203.20)	6 (152.40)	2 3/4 (69.85)
7	2 3/4	3 (76.20)	2 1/2 (63.50)	8 (203.20)	7 (177.80)	3 (76.20)
7	3	3 1/4 (82.55)	2 1/2 (63.50)	9 (228.60)	7 (177.80)	3 (76.20)

Supports loads equal to the full limitation of the hanger rod.

Size No.	Rod Size A	E	F	Max Rec. Load				Wt. Each			
				650°F (343°C)		750°F (399°C)		w/o pin		with pin	
				lbs.	kN	lbs.	kN	lbs.	kg	lbs.	kg
2	3/8	5/16 (7.94)	1 1/16 (26.99)	730	(3.25)	572	(2.54)	.9	(0.41)	1.0	(.45)
2	1/2	5/16 (7.94)	1 1/16 (26.99)	1350	(6.01)	1057	(4.70)	.7	(0.32)	.9	(.41)
2	5/8	5/16 (7.94)	1 1/16 (26.99)	2160	(9.61)	1692	(7.52)	.7	(0.32)	.9	(.41)
2 1/2	3/4	3/8 (9.53)	1 1/4 (31.75)	3230	(14.37)	2530	(11.25)	2.5	(1.13)	3.0	(1.36)
2 1/2	7/8	3/8 (9.53)	1 1/4 (31.75)	4480	(19.93)	3508	(15.61)	2.5	(1.13)	3.4	(1.54)
3	1	1/2 (12.70)	1 1/2 (38.10)	5900	(26.24)	4620	(20.55)	4.0	(1.81)	5.1	(2.31)
3	1 1/4	1/2 (12.70)	1 1/2 (38.10)	9500	(42.26)	7440	(33.09)	3.8	(1.72)	5.5	(2.49)
3 1/2	1 1/2	1/2 (12.70)	1 3/4 (44.45)	13800	(61.39)	10807	(48.07)	6.0	(2.72)	8.5	(3.86)
4	1 3/4	1/2 (12.70)	2 (50.80)	18600	(82.74)	14566	(64.79)	8.0	(3.63)	12.9	(5.85)
5	2	5/8 (15.88)	2 1/2 (63.50)	24600	(109.43)	19265	(85.70)	16.0	(7.26)	23.3	(10.57)
6	2 1/4	3/4 (19.05)	3 (76.20)	32300	(143.68)	25295	(112.52)	26.0	(11.79)	35.1	(15.92)
6	2 1/2	3/4 (19.05)	3 (76.20)	39800	(177.04)	31169	(138.65)	25.5	(11.57)	36.0	(16.33)
7	2 3/4	7/8 (22.23)	3 1/2 (88.90)	49400	(219.74)	38687	(172.09)	36.0	(16.33)	50.0	(22.68)
7	3	7/8 (22.23)	3 1/2 (88.90)	60100	(267.34)	47066	(209.36)	35.0	(15.88)	51.5	(23.36)

Unless otherwise specified, all dimensions on drawings and in charts are in inches and dimensions shown in parentheses are in millimeters.

THREADED ACCESSORIES
CPVC STRAPS
BAND HANGERS
BEAM CLAMPS
CLEVIS HANGERS
PIPE ROLLER SUPPORTS
PIPE RING HANGERS
SPLIT RING HANGERS
PIPE CLAMPS
PIPE LOAD BEAM CLAMPS
CENTER LOAD BEAM CLAMPS
PIPE SHIELDS, INSULATION, & SADDLES
PIPE GUIDES & SLIDES
WALL BRACKETS
PIPE SUPPORTS
STRUCTURAL ATTACHMENTS
SEISMIC BRACING