

PIPE COVERING PROTECTION SADDLES



PIPE SADDLE FOR 1" & 1 1/2" INSULATION

FIG. 651 & 653

- Function:** Designed to protect insulation on high temperature pipe lines. The saddle is furnished with notches to minimize surface contact with the pipe, thereby keeping heat loss to a minimum.
- Material:** Carbon steel (Type 304 or 316 Stainless Steel upon request)
- Finish:** Plain or electro-galvanized (Hot dipped galvanized upon request)
- Approvals:** Complies with Federal Specification A-A-1192A (Type 39) and Manufacturers' Standardization Society ANSI/MSS SP-58 (Type 39) which supersedes ANSI/MSS SP-69.
- Ordering:** Specify figure number, pipe size, insulation thickness, material, and finish.

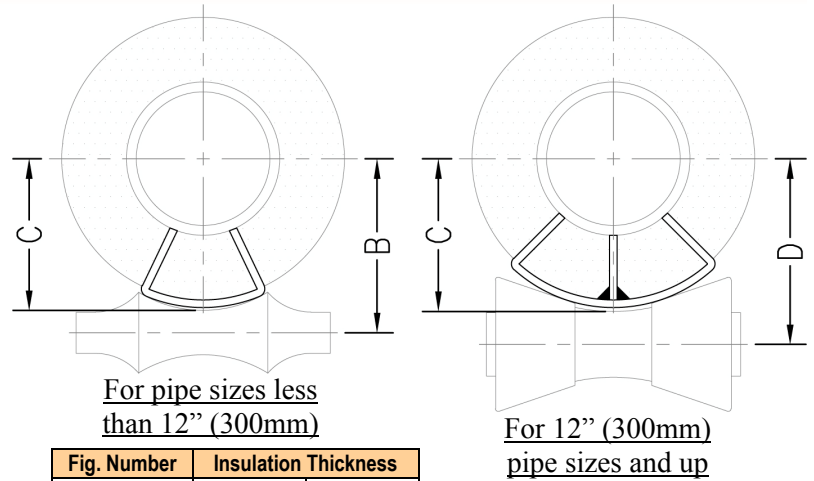


Fig. Number	Insulation Thickness	
651	1	(25.4)
653	1 1/2	(38.1)

Fig. Number	Pipe Size	Pipe Roller Size Use With Fig. No.			Fig. 460, 480		Fig. 470		C		Fig. 486		Actual Thickness Of Covering		Max. Rec. Load		Wt. Each	
		460, 480 490	470 475	486 487	490 B	475 B	D		lbs.	kN	lbs.	kg						
651	3/4 (20)	2	2 1/2	2-3 1/2	2 1/16 (52.39)	2 1/8 (53.98)	1 5/8 (41.28)	2 1/4 (57.15)	1 5/16 (23.81)	1200 (5.34)	1.41 (.64)							
651	1 (25)	2 1/2	3	2-3 1/2	2 5/16 (58.74)	2 1/4 (57.15)	1 13/16 (46.04)	2 7/16 (61.91)	1 1/16 (26.99)	1200 (5.34)	1.41 (.64)							
651	1 1/4 (32)	2 1/2	3	2-3 1/2	2 1/2 (63.50)	2 7/16 (61.91)	1 5/16 (49.21)	2 9/16 (65.09)	1 5/16 (23.81)	1200 (5.34)	1.41 (.64)							
651	1 1/2 (40)	3	3 1/2	2-3 1/2	2 9/8 (66.68)	2 5/8 (66.68)	2 1/8 (53.98)	2 1 1/16 (68.26)	1 1/16 (26.99)	1200 (5.34)	1.43 (.65)							
651	2 (50)	3 1/2	4	2-3 1/2	3 (76.20)	2 15/16 (74.61)	2 3/8 (60.33)	3 1/16 (77.79)	1 1/16 (26.99)	1200 (5.34)	1.52 (.69)							
651	2 1/2 (65)	3 1/2	5	2-3 1/2	3 1/4 (82.55)	3 1/4 (82.55)	2 3/16 (68.26)	3 5/16 (84.14)	1 1/16 (26.99)	1200 (5.34)	1.52 (.69)							
651	3 (80)	4	5	2-3 1/2	3 1/2 (88.90)	3 1/2 (88.90)	2 15/16 (74.61)	3 9/16 (90.49)	1 1/16 (26.99)	1200 (5.34)	1.63 (.74)							
651	3 1/2 (90)	5	6	4-6	4 (101.60)	4 (101.60)	3 5/16 (84.14)	3 15/16 (100.01)	1 5/16 (33.34)	1200 (5.34)	1.98 (.90)							
651	4 (100)	5	6	4-6	4 1/4 (107.95)	4 1/4 (107.95)	3 9/16 (90.49)	4 3/16 (106.36)	1 1/16 (26.99)	1800 (8.01)	1.98 (.90)							
651	5 (125)	6	8	4-6	4 13/16 (122.24)	4 13/16 (122.24)	4 1/8 (104.78)	4 3/4 (120.65)	1 1/16 (26.99)	1800 (8.01)	1.98 (.90)							
651	6 (150)	8	8	4-6	5 3/8 (136.53)	5 3/8 (161.93)	4 1/2 (114.30)	5 1/4 (133.35)	1 (25.40)	1800 (8.01)	3.91 (1.64)							
651	8 (200)	10	12	8-10	7 1/16 (179.39)	7 1/16 (179.39)	6 (152.40)	7 1/16 (179.39)	1 1/16 (26.99)	1800 (8.01)	4.75 (2.15)							
651	10 (250)	12	14	8-10	8 5/16 (211.14)	8 1/2 (215.90)	7 1/4 (184.15)	8 5/16 (211.14)	1 (25.40)	1800 (8.01)	4.75 (2.15)							
651	12 (300)	14	16	12-14	8 15/16 (227.01)	8 7/8 (225.43)	7 5/8 (193.68)	8 3/16 (223.84)	1 1/8 (28.58)	5000 (22.24)	6.88 (3.12)							
651	14 (350)	16	18	12-14	9 5/8 (244.48)	9 5/8 (244.48)	8 1/4 (209.55)	9 1/2 (241.30)	1 (25.40)	5000 (22.24)	6.88 (3.12)							
653	3/4 (20)	3	3 1/2	2-3 1/2	2 3/4 (69.85)	2 3/4 (69.85)	2 3/16 (55.56)	2 7/8 (73.03)	1 1/2 (38.10)	1200 (5.34)	1.85 (.84)							
653	1 (25)	3	4	2-3 1/2	2 7/8 (73.03)	2 7/8 (73.03)	2 5/16 (58.74)	3 (76.20)	1 9/16 (39.69)	1200 (5.34)	1.85 (.84)							
653	1 1/4 (32)	3 1/2	5	2-3 1/2	3 1/16 (77.79)	3 1/16 (77.79)	2 9/16 (65.09)	3 3/16 (80.96)	1 11/16 (42.86)	1200 (5.34)	1.85 (.84)							
653	1 1/2 (40)	3 1/2	5	2-3 1/2	3 1/4 (82.55)	3 1/4 (82.55)	2 5/8 (66.68)	3 5/16 (84.14)	1 9/16 (39.69)	1200 (5.34)	1.85 (.84)							
653	2 (50)	4	5	2-3 1/2	3 1/2 (88.90)	3 1/2 (88.90)	2 7/8 (73.03)	3 9/16 (90.49)	1 5/8 (41.28)	1200 (5.34)	1.98 (.90)							
653	2 1/2 (65)	5	6	4-6	4 (101.60)	4 (101.60)	3 5/16 (84.14)	3 15/16 (100.01)	1 7/8 (47.63)	1200 (5.34)	2.25 (1.02)							
653	3 (80)	5	6	4-6	4 5/16 (109.54)	4 5/16 (109.54)	3 5/8 (92.08)	4 1/4 (107.95)	1 9/16 (39.69)	1200 (5.34)	2.25 (1.02)							
653	3 1/2 (90)	6	8	4-6	4 9/16 (115.89)	4 9/16 (115.89)	3 11/16 (93.66)	4 1/2 (114.30)	1 13/16 (46.04)	1200 (5.34)	2.50 (1.13)							
653	4 (100)	6	8	4-6	4 7/8 (123.83)	4 7/8 (123.83)	4 1/16 (103.19)	4 3/4 (120.65)	1 9/16 (39.69)	1800 (8.01)	2.50 (1.13)							
653	5 (125)	8	8	4-6	5 1/2 (139.70)	5 1/2 (139.70)	4 11/16 (119.06)	5 3/8 (136.53)	1 9/16 (39.69)	1800 (8.01)	2.50 (1.13)							
653	6 (150)	8	10	8-10	5 7/8 (149.23)	5 11/16 (144.46)	5 1/16 (128.59)	6 (152.40)	1 1/2 (38.10)	1800 (8.01)	4.25 (1.93)							
653	8 (200)	10	12	8-10	7 1/16 (179.39)	7 1/16 (179.39)	6 (152.40)	7 1/16 (179.39)	1 9/16 (39.69)	1800 (8.01)	5.50 (2.49)							
653	10 (250)	12	14	8-10	8 5/16 (211.14)	8 1/2 (215.90)	7 1/4 (184.15)	8 5/16 (211.14)	1 5/8 (41.28)	1800 (8.01)	5.50 (2.49)							
653	12 (300)	14	16	12-14	9 1/2 (241.30)	9 1/2 (241.30)	8 1/4 (204.79)	9 1/4 (234.95)	1 5/8 (41.28)	5000 (22.24)	8.33 (3.78)							
653	14 (350)	16	18	12-14	10 3/16 (258.76)	10 1/8 (257.18)	8 3/4 (222.25)	10 1/16 (255.59)	1 1/2 (38.10)	5000 (22.24)	8.33 (3.78)							
653	16 (400)	18	20	16-20	11 1/4 (285.75)	11 1/4 (285.75)	9 13/16 (249.24)	11 1/8 (282.58)	1 1/2 (38.10)	5000 (22.24)	9.01 (4.09)							
653	18 (450)	20	24	16-20	12 5/16 (312.74)	--	10 13/16 (274.64)	12 3/16 (309.56)	1 1/2 (38.10)	5000 (22.24)	9.68 (4.39)							
653	20 (500)	24	24	24	13 9/16 (344.49)	--	11 5/8 (295.28)	13 1/16 (331.79)	1 1/2 (38.10)	7200 (32.03)	11.00 (4.99)							
653	24 (600)	30	--	30	16 5/16 (414.34)	--	13 1/2 (342.90)	15 1/4 (387.35)	1 1/2 (38.10)	7200 (32.03)	13.00 (5.90)							
653	30 (750)	--	--	36-42	--	--	16 11/16 (423.86)	18 5/16 (465.14)	1 1/2 (38.10)	7200 (32.03)	13.70 (6.21)							
653	36 (900)	--	--	36-42	--	--	19 11/16 (500.06)	21 7/16 (544.51)	1 1/2 (38.10)	7200 (32.03)	15.74 (7.14)							

Maximum recommended loads are applicable only when the saddle is used on a flat bearing surface and tack welded to the pipe. When a saddle is used with a pipe roll, the maximum load given for the pipe roll applies to the saddle.

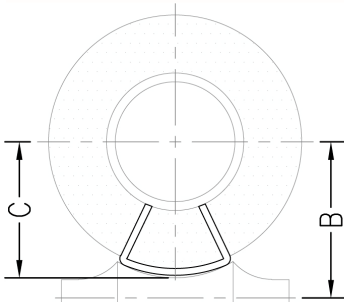
Unless otherwise specified, all dimensions on drawings and in charts are in inches and dimensions shown in parentheses are in millimeters.

THREADED ACCESSORIES
CPVC STRAPS
BAND HANGERS
BEAM CLAMPS
CLEVIS HANGERS
PIPE ROLLER SUPPORTS
SPLIT RING HANGERS
PIPE CLAMPS
CENTER LOAD BEAM CLAMPS
PIPE SHIELDS, INSULATION, & SADDLES
PIPE GUIDES & SLIDES
WALL BRACKETS
PIPE SUPPORTS
STRUCTURAL ATTACHMENTS
SEISMIC BRACING

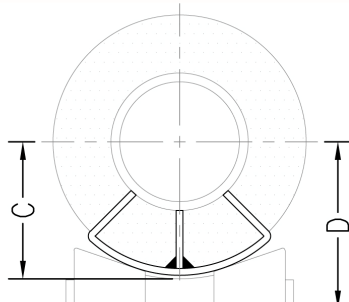
PIPE COVERING PROTECTION SADDLES

FIG. 654 & 655

PIPE SADDLE FOR 2" & 2 1/2" INSULATION



For pipe sizes less than 12" (300mm)



For 12" (300mm) pipe sizes and up

Function: Designed to protect insulation on high temperature pipe lines. The saddle is furnished with notches to minimize surface contact with the pipe, thereby keeping heat loss to a minimum.

Material: Carbon steel (Type 304 or 316 Stainless Steel upon request)

Finish: Plain or electro-galvanized (Hot dipped galvanized upon request)

Approvals: Complies with Federal Specification A-A-1192A (Type 39) and Manufacturers' Standardization Society ANSI/MSS SP-58 (Type 39) which supersedes ANSI/MSS SP-69.

Ordering: Specify figure number, pipe size, insulation thickness, material, and finish.

Fig. Number	Insulation Thickness	
654	2	(50.8)
655	2 1/2	(63.5)

Fig. Number	Pipe Size	Pipe Roller Size Use With Fig. No.			Fig. 460, 480 490 B	Fig. 470 475 B	C	Fig. 486 487 D	Actual Thickness Of Covering		Max. Rec. Load		Wt. Each	
		460, 480 490	470 475	486 487					lbs.	kN	lbs.	kg		
654	3/4 (20)	4	5	2-3 1/2	3 5/16 (84.14)	3 5/16 (84.14)	2 11/16 (68.26)	3 3/8 (85.73)	2 (50.80)	1200 (5.34)	2.58 (1.17)			
654	1 (25)	4	5	2-3 1/2	3 1/2 (88.90)	3 1/2 (88.90)	2 7/8 (73.03)	3 1/2 (88.90)	2 1/8 (53.98)	1200 (5.34)	2.58 (1.17)			
654	1 1/4 (32)	4	5	2-3 1/2	3 5/8 (92.08)	3 5/8 (92.08)	3 (76.20)	3 1 1/16 (93.66)	1 15/16 (49.21)	1200 (5.34)	2.58 (1.17)			
654	1 1/2 (40)	5	6	4-6	4 (101.60)	4 (101.60)	3 3/16 (84.14)	3 7/8 (98.43)	2 3/8 (60.33)	1800 (8.01)	2.85 (1.29)			
654	2 (50)	5	6	4-6	4 1/4 (107.95)	4 1/4 (107.95)	3 9/16 (90.49)	4 3/16 (106.36)	2 1/8 (53.98)	1800 (8.01)	2.85 (1.29)			
654	2 1/2 (65)	6	8	4-6	4 1/2 (114.30)	4 5/8 (117.48)	3 7/8 (98.43)	4 1/2 (114.30)	2 3/8 (60.33)	1800 (8.01)	2.85 (1.29)			
654	3 (80)	6	8	4-6	4 13/16 (122.24)	4 13/16 (122.24)	4 1/8 (104.78)	4 1 1/16 (119.06)	2 1/16 (52.39)	1800 (8.01)	3.30 (1.50)			
654	3 1/2 (90)	8	8	4-6	5 1/8 (130.18)	5 1/8 (130.18)	4 5/16 (109.54)	5 (127.00)	2 5/16 (58.74)	1800 (8.01)	3.30 (1.50)			
654	4 (100)	8	8	4-6	5 3/8 (136.53)	5 3/8 (136.53)	4 9/16 (115.89)	5 1/4 (133.35)	2 1/16 (52.39)	1800 (8.01)	3.30 (1.50)			
654	5 (125)	8	10	8-10	6 (152.40)	6 1/16 (153.99)	5 3/16 (131.76)	6 1/8 (155.58)	2 1/16 (52.39)	1800 (8.01)	3.30 (1.50)			
654	6 (150)	10	10	8-10	6 7/16 (163.51)	6 7/16 (163.51)	5 1/2 (139.70)	6 1/2 (165.10)	2 1/16 (52.39)	1800 (8.01)	5.25 (2.38)			
654	8 (200)	10	12	8-10	7 9/16 (192.09)	7 9/16 (192.09)	6 1/2 (165.10)	7 9/16 (192.09)	2 1/16 (52.39)	1800 (8.01)	6.10 (2.77)			
654	10 (250)	14	16	12-14	9 1/16 (230.19)	9 (228.60)	7 5/8 (193.68)	8 13/16 (223.84)	2 1/8 (53.98)	1800 (8.01)	7.05 (3.20)			
654	12 (300)	16	18	16-20	10 3/16 (258.76)	10 1/16 (255.59)	8 5/8 (219.08)	10 (254.00)	2 1/8 (53.98)	5000 (22.24)	9.33 (4.23)			
654	14 (350)	16	18	16-20	10 7/8 (276.23)	10 13/16 (274.64)	9 5/16 (236.54)	10 1 1/16 (271.46)	2 (50.80)	5000 (22.24)	9.33 (4.23)			
654	16 (400)	18	20	16-20	11 3/16 (284.16)	11 3/4 (285.75)	10 3/16 (258.76)	11 9/16 (293.69)	2 (50.80)	5000 (22.24)	10.68 (4.84)			
654	18 (450)	20	24	24	12 7/8 (327.03)	--	11 5/16 (287.34)	12 1 1/16 (322.26)	2 (50.80)	7200 (32.03)	10.68 (4.84)			
654	20 (500)	24	24	24	13 9/16 (344.49)	--	12 1/4 (311.15)	13 5/8 (346.08)	2 (50.80)	7200 (32.03)	11.96 (5.42)			
654	24 (600)	30	--	30	16 5/16 (414.34)	--	14 (355.60)	15 3/4 (400.05)	2 (50.80)	7200 (32.03)	13.95 (6.33)			
654	30 (750)	--	--	36-42	--	--	17 3/16 (436.56)	18 13/16 (477.84)	2 (50.80)	7200 (32.03)	15.02 (6.81)			
654	36 (900)	--	--	36-42	--	--	20 3/16 (512.76)	21 15/16 (557.21)	2 (50.80)	7200 (32.03)	17.01 (7.72)			
655	1 1/4 (32)	5	6	4-6	4 3/8 (111.13)	4 3/8 (111.13)	3 3/4 (95.25)	4 3/8 (111.13)	2 1/2 (63.50)	1200 (5.34)	3.25 (1.47)			
655	1 1/2 (40)	6	8	4-6	4 1/2 (114.30)	4 5/8 (117.48)	3 7/8 (98.43)	4 1/2 (114.30)	2 7/8 (73.03)	1800 (8.01)	3.25 (1.47)			
655	2 (50)	6	8	4-6	4 3/4 (120.65)	4 13/16 (122.24)	4 1/16 (103.19)	4 3/4 (120.65)	2 5/8 (66.68)	1800 (8.01)	3.25 (1.47)			
655	2 1/2 (65)	8	8	4-6	5 1/8 (130.18)	5 1/8 (130.18)	4 1/4 (107.95)	5 (127.00)	2 7/8 (73.03)	1800 (8.01)	3.61 (1.64)			
655	3 (80)	8	8	4-6	5 7/16 (138.11)	5 7/16 (138.11)	4 1 1/16 (119.06)	5 5/16 (134.94)	2 9/16 (65.09)	1800 (8.01)	3.61 (1.64)			
655	3 1/2 (90)	8	10	8-10	5 5/8 (142.88)	5 5/8 (142.88)	4 1 1/16 (119.06)	5 1 1/16 (144.46)	2 13/16 (71.44)	1800 (8.01)	3.70 (1.68)			
655	4 (100)	8	10	8-10	5 15/16 (150.81)	5 15/16 (150.81)	5 (127.00)	6 (152.40)	2 9/16 (65.09)	1800 (8.01)	3.70 (1.68)			
655	5 (125)	10	10	8-10	6 9/16 (166.69)	6 9/16 (166.69)	5 5/8 (142.88)	6 5/8 (168.28)	2 5/8 (66.68)	1800 (8.01)	3.70 (1.68)			
655	6 (150)	10	12	8-10	7 1/8 (180.98)	7 3/16 (182.56)	6 3/16 (157.16)	7 1/4 (184.15)	2 9/16 (65.09)	1800 (8.01)	6.10 (2.77)			
655	8 (200)	12	14	8-10	8 5/16 (211.14)	8 1/2 (215.90)	7 1/4 (184.15)	8 5/16 (211.14)	2 1 1/16 (68.26)	1800 (8.01)	6.80 (3.08)			
655	10 (250)	14	16	12-14	9 9/16 (242.89)	9 9/16 (242.89)	8 1/8 (206.38)	9 5/16 (236.54)	2 5/8 (66.68)	1800 (8.01)	7.10 (3.22)			
655	12 (300)	16	18	16-20	10 1 1/16 (271.46)	10 9/16 (268.29)	9 1/8 (231.78)	10 1/2 (266.70)	2 5/8 (66.68)	5000 (22.24)	10.93 (4.96)			
655	14 (350)	18	20	16-20	11 1/16 (287.34)	11 3/8 (288.93)	9 7/8 (250.83)	11 3/16 (284.16)	2 1/2 (63.50)	5000 (22.24)	10.93 (4.96)			
655	16 (400)	20	24	16-20	12 5/16 (312.74)	--	10 13/16 (274.64)	12 3/16 (309.56)	2 1/2 (63.50)	7200 (32.03)	11.64 (5.28)			
655	18 (450)	24	24	24	13 9/16 (344.49)	--	11 5/8 (295.28)	13 1/16 (331.79)	2 1/2 (63.50)	7200 (32.03)	12.92 (5.86)			
655	20 (500)	24	--	24	14 1 1/16 (373.06)	--	12 9/4 (323.85)	14 3/16 (360.36)	2 1/2 (63.50)	7200 (32.03)	12.92 (5.86)			
655	24 (600)	30	--	30	17 1/2 (444.50)	--	14 5/8 (371.48)	16 7/16 (417.51)	2 1/2 (63.50)	7200 (32.03)	14.91 (6.76)			
655	30 (750)	--	--	36-42	--	--	17 1 1/16 (449.26)	19 5/16 (490.54)	2 1/2 (63.50)	7200 (32.03)	16.40 (7.44)			
655	36 (900)	--	--	36-42	--	--	20 1 1/16 (525.46)	22 7/16 (569.91)	2 1/2 (63.50)	7200 (32.03)	18.57 (8.42)			

Maximum recommended loads are applicable only when the saddle is used on a flat bearing surface and tack welded to the pipe. When a saddle is used with a pipe roll, the maximum load given for the pipe roll applies to the saddle.

Unless otherwise specified, all dimensions on drawings and in charts are in inches and dimensions shown in parentheses are in millimeters.

PIPE COVERING PROTECTION SADDLES



PIPE SADDLE FOR 3" & 4" INSULATION

FIG. 656 & 658

- Function:** Designed to protect insulation on high temperature pipe lines. The saddle is furnished with notches to minimize surface contact with the pipe, thereby keeping heat loss to a minimum.
- Material:** Carbon steel (Type 304 or 316 Stainless Steel upon request)
- Finish:** Plain or electro-galvanized (Hot dipped galvanized upon request)
- Approvals:** Complies with Federal Specification A-A-1192A (Type 39) and Manufacturers' Standardization Society ANSI/MSS SP-58 (Type 39) which supersedes ANSI/MSS SP-69.
- Ordering:** Specify figure number, pipe size, insulation thickness, material, and finish.

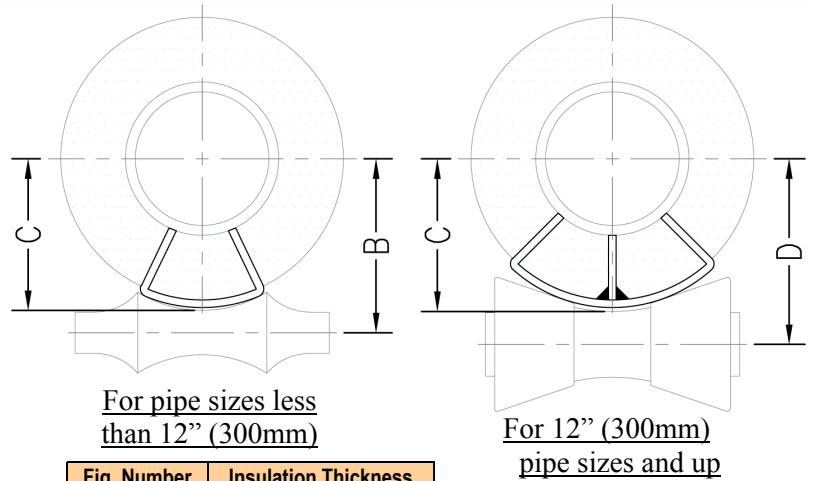


Fig. Number	Insulation Thickness	
656	3	(76.2)
658	4	(101.6)

Fig. Number	Pipe Size		Pipe Roller Size			Fig. 460, 480		Fig. 470		C		Fig. 486		Actual Thickness Of Covering		Max. Rec. Load		Wt. Each	
			460, 480	470	486	490	475	487	490	475	B	B	486	487	D	lbs.	kN	lbs.	kg
656	2	(50)	8	8	4-6	5 ³ / ₈	(136.53)	5 ³ / ₈	(136.53)	4 ⁹ / ₁₆	(115.89)	5 ¹ / ₄	(133.35)	3 ¹ / ₈	(79.38)	1800	(8.01)	4.10	(1.86)
656	2 1/2	(65)	8	10	4-6	5 ⁵ / ₈	(142.88)	5 ³ / ₄	(146.05)	4 ⁷ / ₈	(123.83)	5 ¹ / ₂	(139.70)	3 ³ / ₈	(85.73)	1800	(8.01)	4.10	(1.86)
656	3	(80)	8	10	8-10	6	(152.40)	6	(152.40)	5 ¹ / ₁₆	(128.59)	6 ¹ / ₁₆	(153.99)	3 ¹ / ₁₆	(77.79)	1800	(8.01)	4.32	(1.96)
656	3 1/2	(90)	10	10	8-10	6 ⁵ / ₁₆	(160.34)	6 ⁵ / ₁₆	(160.34)	5 ³ / ₈	(136.53)	6 ³ / ₈	(161.93)	3 ³ / ₈	(85.73)	1800	(8.01)	4.32	(1.96)
656	4	(100)	10	10	8-10	6 ⁹ / ₁₆	(166.69)	6 ⁹ / ₁₆	(166.69)	5 ⁵ / ₈	(142.88)	6 ⁵ / ₈	(168.28)	3 ¹ / ₈	(79.38)	1800	(8.01)	4.32	(1.96)
656	5	(125)	10	12	8-10	7 ¹ / ₈	(180.98)	7 ¹ / ₄	(184.15)	6 ³ / ₁₆	(157.16)	7 ¹ / ₄	(184.15)	3 ¹ / ₈	(79.38)	1800	(8.01)	4.32	(1.96)
656	6	(150)	12	12	8-10	7 ⁵ / ₈	(193.68)	7 ⁵ / ₈	(193.68)	6 ⁹ / ₁₆	(166.69)	7 ⁵ / ₈	(193.68)	3 ¹ / ₁₆	(77.79)	1800	(8.01)	8.10	(3.67)
656	8	(200)	14	16	12-14	9	(228.60)	9	(228.60)	7 ¹ / ₁₆	(195.26)	8 ³ / ₄	(222.25)	3 ³ / ₁₆	(80.96)	1800	(8.01)	8.10	(3.67)
656	10	(250)	16	18	16-20	10 ¹ / ₈	(257.18)	10 ¹ / ₁₆	(255.59)	8 ¹ / ₁₆	(220.66)	10	(254.00)	3 ¹ / ₈	(79.38)	1800	(8.01)	8.40	(3.81)
656	12	(300)	18	20	16-20	11 ¹ / ₈	(282.58)	11 ¹ / ₄	(285.75)	9 ⁵ / ₈	(244.48)	11	(279.40)	3 ¹ / ₈	(79.38)	5000	(22.24)	11.88	(5.39)
656	14	(350)	18	20	16-20	11 ³ / ₄	(298.45)	11 ³ / ₄	(298.45)	10 ⁵ / ₁₆	(261.94)	11 ⁵ / ₈	(295.28)	3	(76.20)	5000	(22.24)	11.88	(5.39)
656	16	(400)	20	24	24	12 ⁷ / ₈	(327.03)	--	--	11 ¹ / ₁₆	(280.99)	12 ⁷ / ₁₆	(315.91)	3	(76.20)	7200	(32.03)	13.87	(6.29)
656	18	(450)	24	24	24	14 ³ / ₁₆	(360.36)	--	--	12 ¹ / ₄	(311.15)	13 ⁵ / ₈	(346.08)	3	(76.20)	7200	(32.03)	13.87	(6.29)
656	20	(500)	24	--	24	15 ¹ / ₄	(387.35)	--	--	13 ⁵ / ₁₆	(338.14)	14 ³ / ₄	(374.65)	3	(76.20)	7200	(32.03)	14.51	(6.58)
656	24	(600)	30	--	30	18 ¹ / ₁₆	(458.79)	--	--	15 ¹ / ₄	(387.35)	17	(431.80)	3	(76.20)	7200	(32.03)	15.86	(7.19)
656	30	(750)	--	--	36-42	--	--	--	--	18 ¹ / ₈	(460.38)	20 ³ / ₈	(517.53)	3	(76.20)	7200	(32.03)	17.61	(7.99)
656	36	(900)	--	--	36-42	--	--	--	--	21 ¹ / ₈	(536.58)	23 ¹ / ₂	(596.90)	3	(76.20)	7200	(32.03)	19.61	(8.90)
658	2	(50)	8	10	8-10	6 ³ / ₁₆	(157.16)	6 ¹ / ₁₆	(153.99)	5 ¹ / ₁₆	(128.59)	6 ¹ / ₈	(155.58)	4 ³ / ₁₆	(106.36)	1800	(8.01)	5.60	(2.54)
658	2 1/2	(65)	8	10	8-10	6 ⁷ / ₁₆	(163.51)	6 ³ / ₈	(161.93)	5 ⁷ / ₁₆	(138.11)	6 ¹ / ₂	(165.10)	4 ⁷ / ₁₆	(112.71)	1800	(8.01)	5.60	(2.54)
658	3	(80)	8	12	8-10	6 ¹⁵ / ₁₆	(177.80)	6 ¹⁵ / ₁₆	(176.21)	5 ¹³ / ₁₆	(147.64)	6 ⁷ / ₈	(174.63)	4 ¹ / ₈	(104.78)	1800	(8.01)	5.60	(2.54)
658	3 1/2	(90)	10	12	8-10	7	(177.80)	7 ¹ / ₈	(180.98)	5 ¹⁵ / ₁₆	(150.81)	7 ¹ / ₁₆	(179.39)	4 ³ / ₈	(111.13)	1800	(8.01)	5.90	(2.68)
658	4	(100)	10	12	8-10	7 ⁵ / ₈	(193.68)	7 ⁵ / ₈	(193.68)	6 ¹ / ₂	(165.10)	7 ⁹ / ₁₆	(192.09)	4 ¹ / ₈	(104.78)	1800	(8.01)	5.90	(2.68)
658	5	(125)	12	14	8-10	8 ³ / ₁₆	(207.96)	8 ³ / ₈	(212.73)	7 ¹ / ₈	(180.98)	8 ³ / ₁₆	(207.96)	4 ¹ / ₄	(107.95)	1800	(8.01)	5.90	(2.68)
658	6	(150)	14	16	12-14	9	(228.60)	9	(228.60)	7 ⁹ / ₁₆	(192.09)	8 ³ / ₄	(222.25)	4 ³ / ₁₆	(106.36)	1800	(8.01)	10.68	(4.84)
658	8	(200)	16	18	12-14	10 ¹ / ₈	(257.18)	10 ¹ / ₈	(257.18)	8 ¹ / ₁₆	(220.66)	9 ⁷ / ₈	(250.83)	4 ³ / ₁₆	(106.36)	1800	(8.01)	10.68	(4.84)
658	10	(250)	18	20	16-20	11 ¹ / ₄	(285.75)	11 ¹ / ₄	(285.75)	9 ³ / ₄	(247.65)	11 ¹ / ₈	(282.58)	4 ¹ / ₈	(104.78)	1800	(8.01)	11.40	(5.17)
658	12	(300)	20	24	16-20	12 ³ / ₈	(314.33)	--	--	10 ¹³ / ₁₆	(274.64)	12 ³ / ₁₆	(309.56)	4 ¹ / ₈	(104.78)	5000	(22.24)	14.43	(6.55)
658	14	(350)	20	24	24	12 ⁷ / ₈	(327.03)	--	--	11 ⁵ / ₁₆	(287.34)	12 ⁵ / ₈	(320.68)	4	(101.60)	5000	(22.24)	14.43	(6.55)
658	16	(400)	24	24	24	14 ¹ / ₈	(358.78)	--	--	12 ³ / ₁₆	(309.56)	13 ⁵ / ₈	(346.08)	4	(101.60)	7200	(32.03)	15.79	(7.16)
658	18	(450)	24	--	24	15 ¹ / ₄	(387.35)	--	--	13 ⁵ / ₁₆	(338.14)	14 ³ / ₄	(374.65)	4	(101.60)	7200	(32.03)	15.79	(7.16)
658	20	(500)	30	--	30	17	(431.80)	--	--	14 ¹ / ₈	(358.78)	15 ⁷ / ₈	(403.23)	4	(101.60)	7200	(32.03)	16.90	(7.67)
658	24	(600)	30	--	30	19 ¹ / ₄	(488.95)	--	--	16 ⁷ / ₁₆	(417.51)	19 ¹ / ₄	(488.95)	4	(101.60)	7200	(32.03)	17.78	(8.06)
658	30	(750)	--	--	36-42	--	--	--	--	19 ³ / ₁₆	(487.36)	20 ¹⁵ / ₁₆	(531.81)	4	(101.60)	7200	(32.03)	20.08	(9.11)
658	36	(900)	--	--	36-42	--	--	--	--	22 ³ / ₁₆	(563.56)	24	(609.60)	4	(101.60)	7200	(32.03)	22.16	(10.05)

Maximum recommended loads are applicable only when the saddle is used on a flat bearing surface and tack welded to the pipe. When a saddle is used with a pipe roll, the maximum load given for the pipe roll applies to the saddle.

Unless otherwise specified, all dimensions on drawings and in charts are in inches and dimensions shown in parentheses are in millimeters.

THREADED ACCESSORIES
CPVC STRAPS
BAND HANGERS
BEAM CLAMPS
CLEVIS HANGERS
PIPE ROLLER SUPPORTS
RING HANGERS
SPLIT RING HANGERS
PIPE CLAMPS
CENTER LOAD BEAM CLAMPS
PIPE SHIELDS, INSULATION, & SADDLES
PIPE GUIDES & SLIDES
WALL BRACKETS
PIPE SUPPORTS
STRUCTURAL ATTACHMENTS
SEISMIC BRACING