

# PIPE & CONDUIT SUPPORTS

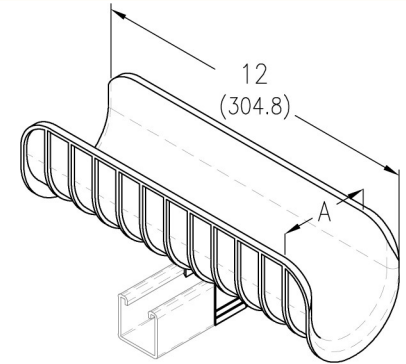


- CHANNEL
- PIPE & CONDUIT SUPPORTS
- STRUT NUTS & HARDWARE
- CONCRETE INSERTS
- END CAPS & CLOSURES
- FLAT PLATE FITTINGS
- 90° ANGLE FITTINGS
- ANGLE FITTINGS
- "U" FITTINGS
- "Z" FITTINGS
- WING FITTINGS
- SPECIALTY FITTINGS
- TROLLEY ASSEMBLIES
- POST BASES
- BRACKETS & BRACE FITTINGS
- BEAM CLAMPS
- ROOFTOP SUPPORTS

## STRUT MOUNTED SADDLE FOR INSULATED PIPE

## FIG. 225B2S-825W2S

Fig. Number	Saddle Color	A		Wt. Each	
				lbs.	kg
225B2S	BLACK	2¼	(57.15)	.20	(.09)
325B2S	BLACK	3¼	(82.55)	.29	(.13)
425B2S	BLACK	4¼	(107.95)	.34	(.15)
525B2S	BLACK	5¼	(133.35)	.44	(.20)
625B2S	BLACK	6¼	(158.75)	.55	(.25)
825B2S	BLACK	8¼	(209.55)	.95	(.43)
225W2S	WHITE	2¼	(57.15)	.20	(.09)
325W2S	WHITE	3¼	(82.55)	.29	(.13)
425W2S	WHITE	4¼	(107.95)	.34	(.15)
525W2S	WHITE	5¼	(133.35)	.44	(.20)
625W2S	WHITE	6¼	(158.75)	.55	(.25)
825W2S	WHITE	8¼	(209.55)	.95	(.43)



**Features:** Universal mounting feature allows secure fit on either side of channel. Molded with self-tapping screw location hole.

**Material:** UV resistant high-strength polypropylene copolymer. UL Classified 2043 (25/50) for use in plenums and air handling systems.

**Temperature Rating:** -40°F to 178°F (-40°C to 81°C)

**Ordering:** Specify figure number.