



END CAPS & CLOSURES

FIG. 4405-4420

TYPE "A" END CAPS

Material:

Carbon steel (Type 304 or 316)
Stainless Steel upon request

Finish:

Electro-galvanized

Ordering:

Specify figure number.

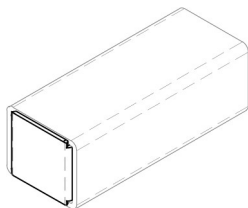


Fig. No.	For Use With Fig. No.	Wt. Each	
		Lbs.	kg
4405	1000 & 4300	.10	(.05)
4406	1300	.05	(.02)
4407	1200 & 4100	.05	(.02)
4410	1700 & 4000	.08	(.04)
4420	1400 & 4200	.08	(.04)

FIG. 4440-4470

TYPE "B" END CAPS

Material:

Carbon steel (Type 304 or 316)
Stainless Steel upon request

Finish:

Electro-galvanized

Ordering:

Specify figure number.

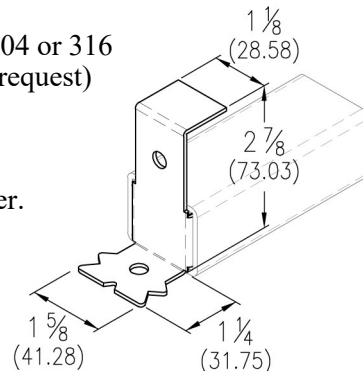


Fig. No.	For Use With Fig. No.	Wt. Each	
		Lbs.	kg
4440	1700 & 4000	.15	(.07)
4450	1400 & 4200	.15	(.07)
4460	1300	.15	(.07)
4470	1000 & 4300	.15	(.07)

FIG. 4475-4489

SAFETY END CAPS

Material:

PVC

Ordering:

Specify figure number.

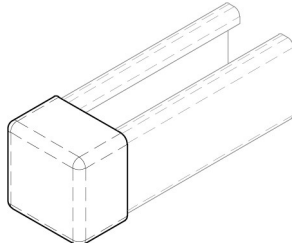


Fig. No.	Color	Use With Fig. Numbers	Wt. Each	
			Lbs.	kg
4475	Red	1200 & 1300	.03	(.01)
4476	White	1200 & 1300	.03	(.01)
4477	Yellow	1200 & 1300	.03	(.01)
4478	Gray	1200 & 1300	.03	(.01)
4479	Black	1200 & 1300	.03	(.01)
4480	Red	1000 & 1100	.04	(.02)
4481	White	1000 & 1100	.04	(.02)
4482	Yellow	1000 & 1100	.04	(.02)
4483	Gray	1000 & 1100	.04	(.02)
4484	Black	1000 & 1100	.04	(.02)
4485	Red	1500	.07	(.03)
4486	White	1500	.07	(.03)
4487	Yellow	1500	.07	(.03)
4488	Gray	1500	.07	(.03)
4489	Black	1500	.07	(.03)

FIG. 4500-4506

CLOSURE STRIPS

Ordering:

Specify figure number.

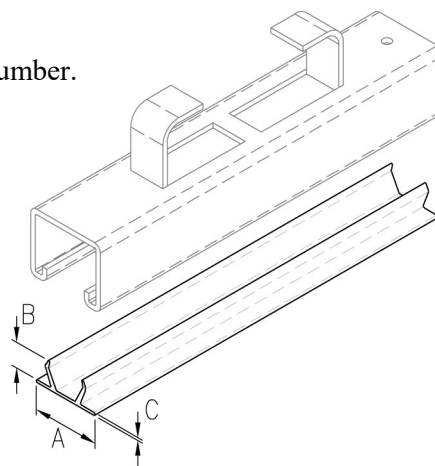


Fig. No.	A		B		C		Std. Length		Material	Wt. Each	
	ft.	m	ft.	m	ft.	m	ft.	m		lbs./ft.	kg/m
4500	1 ¹ / ₁₆	(27.0)	1/2	(12.7)	1 ⁹ / ₃₂	(15.1)	10	(3.05)	Plastic - Black	0.08	(0.12)
4501	1 ¹¹ / ₃₂	(34.1)	3/8	(9.5)	7/16	(11.1)	10	(3.05)	Plastic - Grey	0.08	(0.12)
4502	1 ¹¹ / ₃₂	(34.1)	3/8	(9.5)	7/16	(11.1)	10	(3.05)	Plastic - Green	0.08	(0.12)
4503	1 ¹ / ₂	(38.1)	7/16	(11.1)	1 ⁷ / ₃₂	(13.5)	10	(3.05)	Steel - Plain	0.42	(0.63)
4504	1 ¹ / ₂	(38.1)	7/16	(11.1)	1 ⁷ / ₃₂	(13.5)	10	(3.05)	Steel - PG	0.42	(0.63)
4505	1 ¹ / ₂	(38.1)	7/16	(11.1)	1 ⁷ / ₃₂	(13.5)	10	(3.05)	Steel - Green	0.42	(0.63)
4506	1 ⁷ / ₁₆	(36.5)	1 ⁵ / ₃₂	(11.9)	1/2	(12.7)	10	(3.05)	Aluminum - Plain	0.14	(0.21)

Unless otherwise specified, all dimensions on drawings and in charts are in inches and dimensions shown in parentheses are in millimeters.