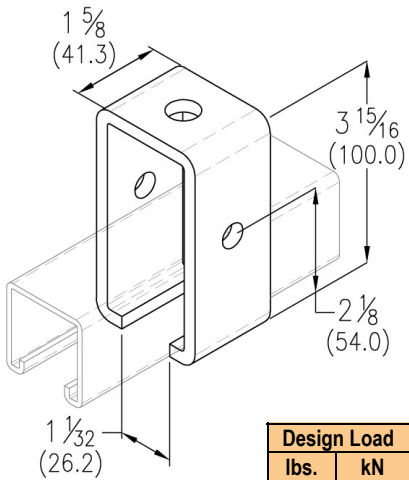


TROLLEY ASSEMBLIES



FIG. 5840

TROLLEY BEAM SUPPORT

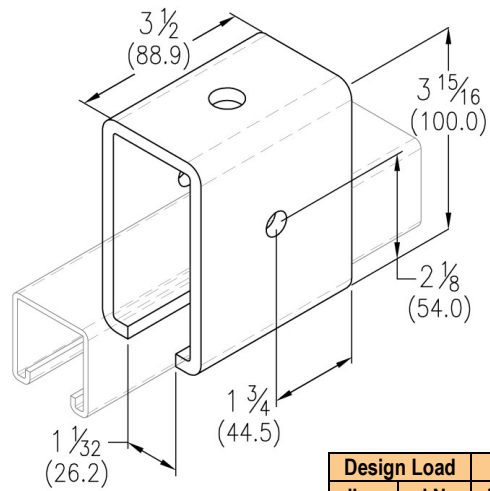


Design Load		Wt. Each	
lbs.	kN	lbs.	kg
1200	(5.34)	1.02	(.46)

Note: Not available in Stainless Steel.

FIG. 5845

TROLLEY BEAM JOINT SUPPORT

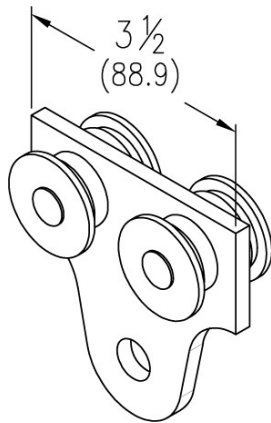


Design Load		Wt. Each	
lbs.	kN	lbs.	kg
2500	(11.12)	2.20	(1.00)

Note: Not available in Stainless Steel.

FIG. 5870

4-BEARING TROLLEY ASSEMBLY



Wt. Each	
lbs.	kg
1.10	(.50)

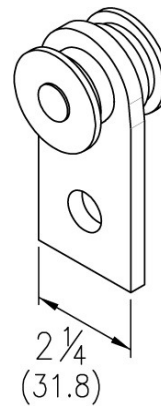
FPM	RPM	Design Load	
		lbs.	kN
180	600	300	(1.33)
90	300	450	(2.00)
30	100	600	(2.67)

Design Load based on use with PHD 1000 Series Strut Channel.

Note: Not available in Stainless Steel.

FIG. 5875

2-BEARING TROLLEY ASSEMBLY



Wt. Each	
lbs.	kg
.48	(.22)

FPM	RPM	Design Load	
		lbs.	kN
180	600	150	(0.67)
90	300	225	(1.00)
30	100	437	(1.94)

Design Load based on use with PHD 1000 Series Strut Channel.

Note: Not available in Stainless Steel.

Standard Product Information for 1 5/8" (41.3) width series channel fittings (Unless Otherwise Noted)

Hole Diameter: 9/16" (14.3); **Hole Spacing-From End:** 1 1/16" (20.6); **Hole Spacing-On Center:** 1 7/8" (47.6); **Width:** 1 5/8" (41.3); **Thickness:** 1/4" (6.4)
Material: Carbon steel (Type 304 or 316 Stainless Steel upon request); **Finish:** Electro-galvanized (hot-dip galvanized, e-coat, and powder coated upon request)
Ordering: Specify figure number, material, and finish.

Unless otherwise specified, all dimensions on drawings and in charts are in inches and dimensions shown in parentheses are in millimeters.

CHANNEL
PIPE & CONDUIT SUPPORTS
STRUT NUTS & HARDWARE
CONCRETE INSERTS
END CAPS & CLOSURES
FLAT PLATE FITTINGS
90° ANGLE FITTINGS
ANGLE FITTINGS
"U" FITTINGS
"Z" FITTINGS
WING FITTINGS
SPECIALTY FITTINGS
TROLLEY ASSEMBLIES
POST BASES
BRACKETS & BRACE FITTINGS
BEAM CLAMPS
ROOFTOP SUPPORTS