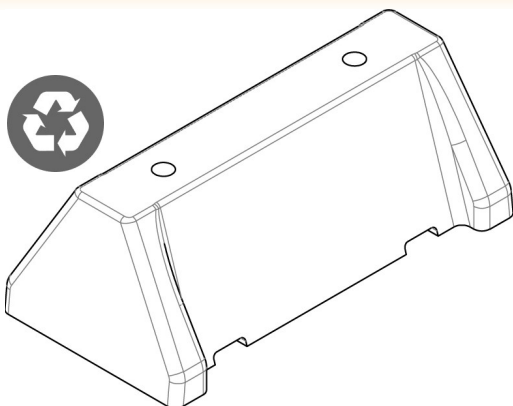




ROOFTOP SUPPORTS

FIG. RTSB

ROOFTOP SUPPORT BASE



Function: For installation on most types of roofing material or other flat surfaces. Screw type fasteners can be used to attach strut or other applicable devices such as pipe straps. Can be used to dampen vibration without reducing the life of the roof. Water channels in base prevent damming.

Material: 100% American sourced post-industrial and post-consumer recycled composite, thermal plastic.

Approvals: Complies with Federal Specification A-A-1192A (Type 62) and Manufacturers' Standardization Society ANSI/MSS SP-58 (Type 62) which supersedes ANSI/MSS SP-69.

Ordering: Specify figure number.

NOTE: Maximum Recommended Loads are specific to the components supplied. Please consult the roofing manufacturer or an engineer for roof load capacity.

Height		Length		Width		Holes Size		Max. Rec. Uniform Load		Wt. Each		Safety Factor
								lbs.	kN	lbs.	kg	
4	(101.60)	10 ³ / ₄	(273.05)	5 ¹ / ₂	(139.70)	¹ / ₂	(12.70)	1700	(7.56)	3.10	(1.41)	3.5

Base area = 23.1 in.² for use in bearing calculations.