

ROOFTOP SUPPORTS



CHANNEL

PIPE & CONDUIT SUPPORTS

STRUT NUTS & HARDWARE

CONCRETE INSERTS

END CAPS & CLOSURES

FLAT PLATE FITTINGS

90° ANGLE FITTINGS

ANGLE FITTINGS

“U” FITTINGS

“Z” FITTINGS

WING FITTINGS

SPECIALTY FITTINGS

TROLLEY ASSEMBLIES

POST BASES

BRACKETS & BRACE FITTINGS

BEAM CLAMPS

STRUT BRIDGE SUPPORT BASE

FIG. SBSB

Function: For installation on most types of roofing material or other flat surfaces. Pre-assembled dual roof top support bases with mounted 1001 series channel strut. Can be used to dampen vibration without reducing the life of the roof. Water channels in bases prevent damming.

Material: 100% American sourced post-industrial and post-consumer recycled composite, thermal plastic. Carbon steel channel (pre-galvanized finish). Carbon steel hardware (electro-galvanized finish).

Approvals: Complies with Federal Specification A-A-1192A (Type 62) and Manufacturers' Standardization Society ANSI/MSS SP-58 (Type 62) which supersedes ANSI/MSS SP-69.

Ordering: Specify figure number.

NOTE: Maximum Recommended Loads are specific to the components supplied. Please consult the roofing manufacturer or an engineer for roof load capacity. When attaching channel to base by means of base through holes, the maximum recommended torque is 3 ft.-lbs.

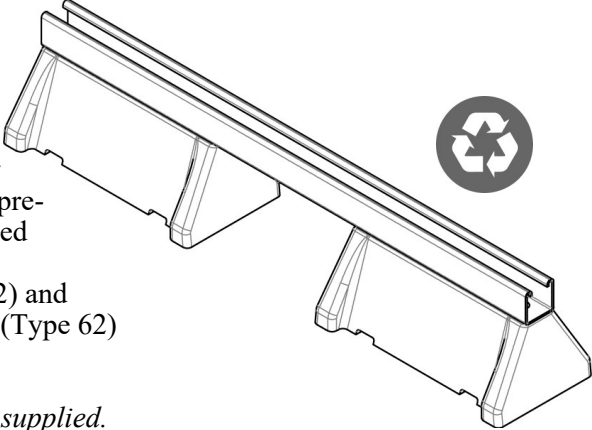


Figure Number	Channel Figure Number	Channel Length		Number of Bases	Bridged Gap		Total Height		Base Width		Base Length		Max. Rec. Uniform Load		Wt. Each		Safety Factor
		in	mm		in	mm	in	mm	in	mm	in	mm	in	mm	lbs.	kN	
SBSB1321	1301	20 ³ / ₄	(527.05)	2	³ / ₄	(19.05)	4 ¹³ / ₁₆	(122.23)	5 ¹ / ₂	(139.70)	21 ¹ / ₂	(546.10)	1300	(5.78)	7.81	(3.54)	3.5
SBSB1021	1001	20 ³ / ₄	(527.05)	2	³ / ₄	(19.05)	5 ⁵ / ₈	(142.88)	5 ¹ / ₂	(139.70)	21 ¹ / ₂	(546.10)	1300	(5.78)	9.26	(4.20)	3.5
SBSB1028	1001	28	(711.20)	2	8	(203.20)	5 ⁵ / ₈	(142.88)	5 ¹ / ₂	(139.70)	28.75	(730.25)	1200	(5.34)	10.33	(4.69)	3.5
SBSB1036	1001	36	(914.40)	2	16	(406.40)	5 ⁵ / ₈	(142.88)	5 ¹ / ₂	(139.70)	36.75	(933.45)	900	(4.00)	11.51	(5.22)	3.5
SBSB1042	1001	42	(1066.80)	2	22	(558.80)	5 ⁵ / ₈	(142.88)	5 ¹ / ₂	(139.70)	42.75	(1085.85)	800	(3.56)	12.40	(5.62)	3.5
SBSB1050	1001	50	(1270.00)	2	30	(762.00)	5 ⁵ / ₈	(142.88)	5 ¹ / ₂	(139.70)	50.75	(1289.05)	700	(3.11)	13.58	(6.16)	3.5
SBSB1060	1001	60	(1524.00)	2	40	(1016.00)	5 ⁵ / ₈	(142.88)	5 ¹ / ₂	(139.70)	60.75	(1543.05)	500	(2.22)	15.05	(6.83)	3.5

Unless otherwise specified, all dimensions on drawings and in charts are in inches and dimensions shown in parentheses are in millimeters.