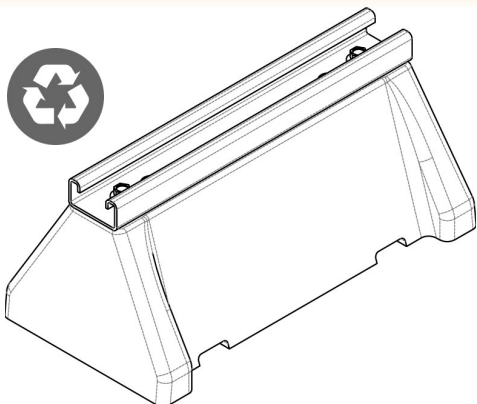




ROOFTOP SUPPORTS

FIG. SMSB

STRUT MOUNTED SUPPORT BASE



Function: For installation on most types of roofing material or other flat surfaces. Pre-assembled roof top support base with mounted 1301 or 1101 series channel strut. Can be used to dampen vibration without reducing the life of the roof. Water channels in bases prevent damming.

Material: 100% American sourced post-industrial and post-consumer recycled composite, thermal plastic. Carbon steel channel (pre-galvanized finish). Carbon steel hardware (electro-galvanized finish).

Approvals: Complies with Federal Specification A-A-1192A (Type 62) and Manufacturers' Standardization Society ANSI/MSS SP-58 (Type 62) which supersedes ANSI/MSS SP-69.

Ordering: Specify figure number.

NOTE: Maximum Recommended Loads are specific to the components supplied. Please consult the roofing manufacturer or an engineer for roof load capacity. Pipe rollers are not recommended for use with 1300 series channel.

Figure Number	Channel Figure Number	Channel Length		Total Height		Base Width		Base Length		Max. Rec. Uniform Load		Wt. Each		Safety Factor
										lbs.	kN	lbs.	kg	
SMSB13	1301	10	(254.00)	4 ¹³ / ₁₆	(122.24)	5 ¹ / ₂	(139.70)	10 ³ / ₄	(273.05)	1700	(7.56)	3.88	(1.76)	3.5
SMSB11	1101	10	(254.00)	5 ⁵ / ₈	(142.88)	5 ¹ / ₂	(139.70)	10 ³ / ₄	(273.05)	1700	(7.56)	4.18	(1.90)	3.5